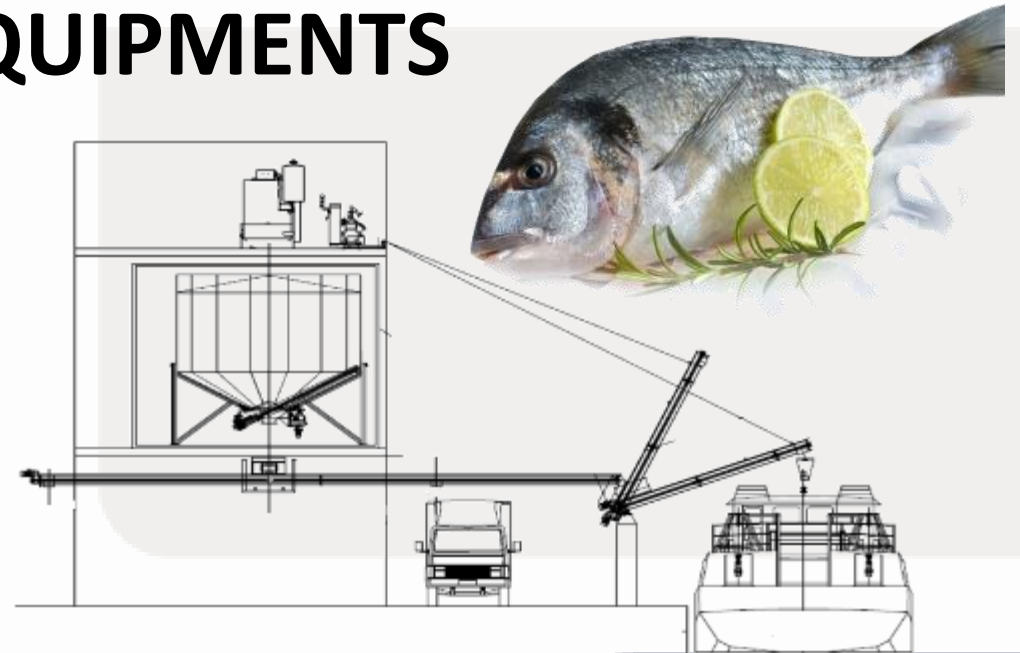


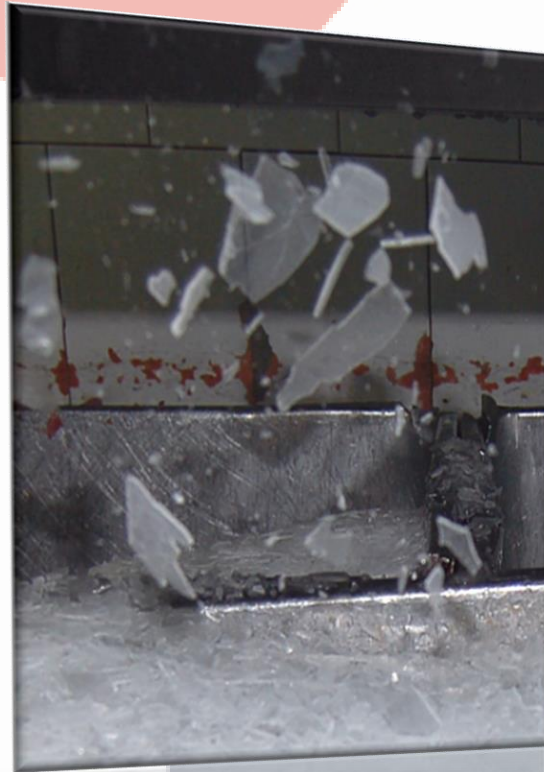
# BIG FISHING PROCESS EQUIPMENTS

Ice systems and solutions – June 2021

ICE TOWER DESCRIPTION & BIGGEST EQUIPEMENTS



# WORLD IS RUNNING WITH Geneglace FLAKE ICE



## The advantage of the flake ice

- Flake ice have a large heat-exchange surface area meaning that heat transfer is faster between product and ice.
- Since the flake ice is sub-cooled (- 8 °C), it generates a higher heat fusion value up to 5% per kg while melting, this, compared to other type of ice. The heat fusion value is thus slightly higher than 80 kcal per kg what will allow a saving in ice injected.
- The flake ice machine is compact and requires less space than the blocks ice factory. The machine starts to produce ice directly after its startup for an instantaneous production.
- Flake ice is immediately usable and does not have to be crushed.
- Flake ice can be easily stored and delivered at place.
- It is a cooling medium that is transportable. One can easily store it, transport it, use it uniformly and distribute.



# FULL AND COMPLETE SET OF PRODUCTION & DISTRIBUTION ON CUSTOMER THE PLANT



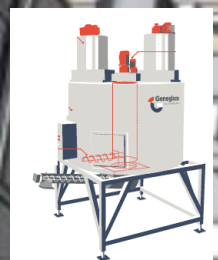
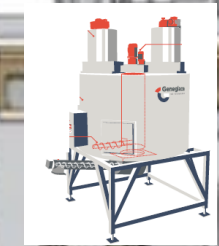
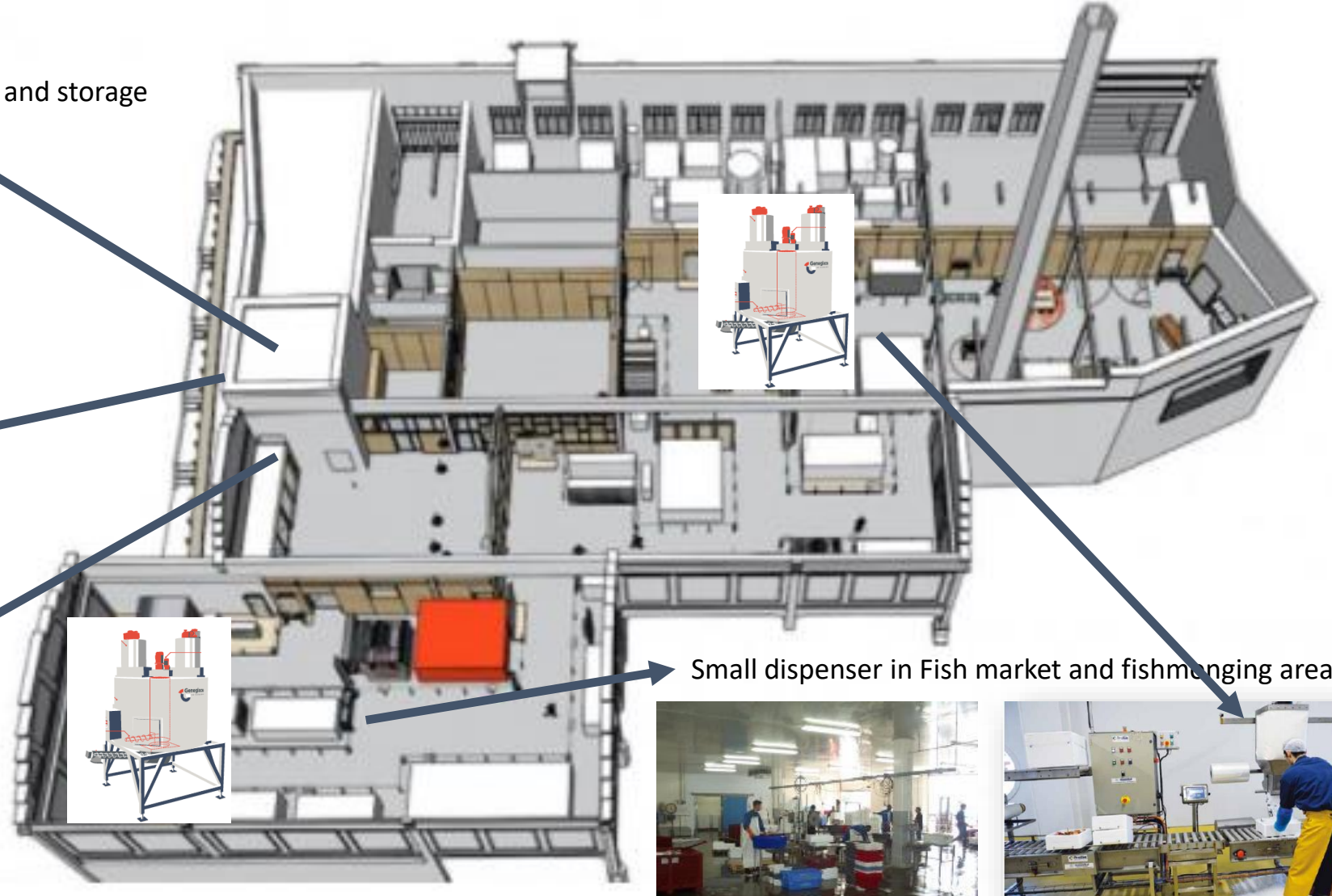
Ice tower for **big distribution** and storage



Outside delivery for boats



Outside small dispenser for fisherman

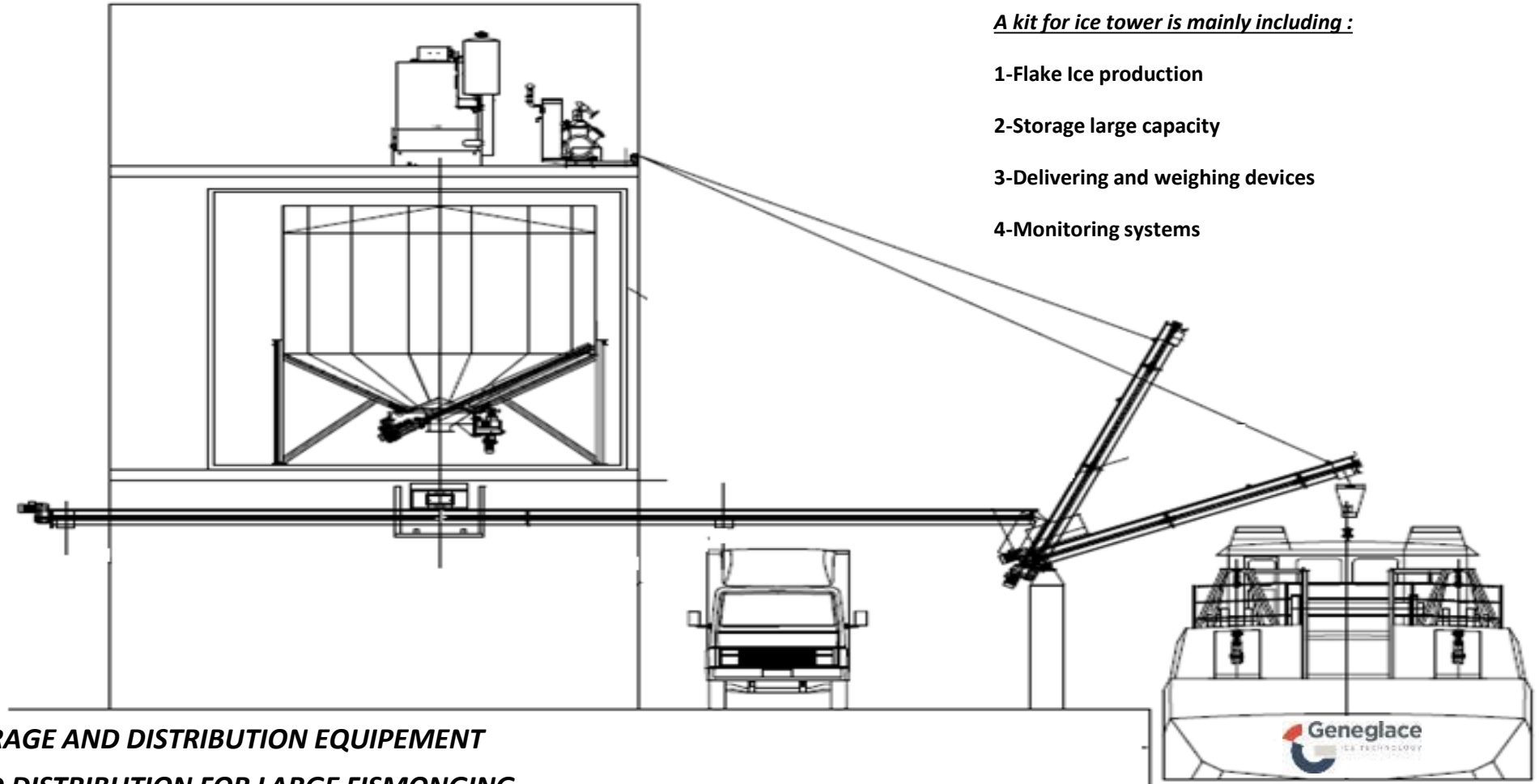
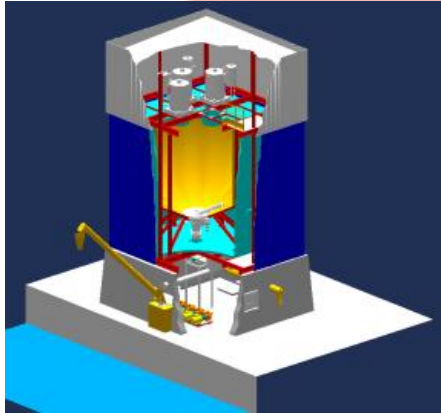


Small dispenser in Fish market and fishmonging area



# 1- ICE TOWER AND DISPENSER FOR BIG PRODUCTION & STORAGE

*HARBOR EQUIPEMENT AND BIGGEST PROJECTS EQUIPEMENT*



*A kit for ice tower is mainly including :*

- 1-Flake Ice production
- 2-Storage large capacity
- 3-Delivering and weighing devices
- 4-Monitoring systems

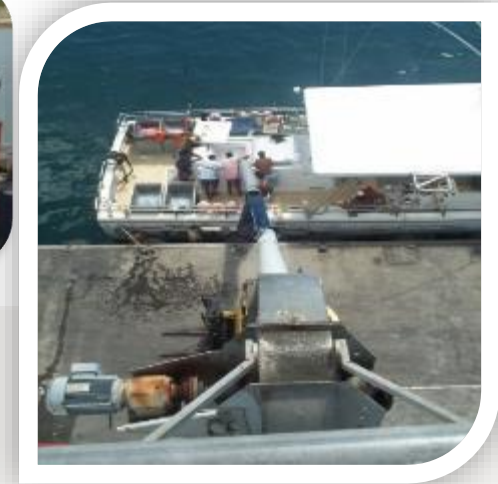
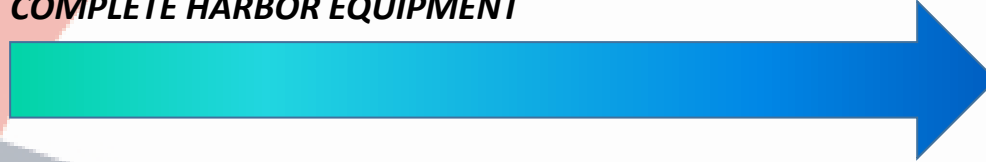
**CONCEPT FOR :**

***HARBOR STORAGE AND DISTRIBUTION EQUIPEMENT  
STORAGE AND DISTRIBUTION FOR LARGE FISMONGING***

# ICE TOWER CONCEPT & BOAT DELIVERIES



**COMPLETE HARBOR EQUIPMENT**



*General concept of the ice tower is to provide a kit that will cover the implementation of the ice production, the ice storage, the ice weighing and tower control devices . At the outlet , the ice transfer system will ensure ice delivery to different ice using points.*



# GENERAL VIEW AND CONCEPT

**Production**

**Storage & extraction**

**Distribution**

FINAL DESIGN BEFORE CLADDING - *Frame and access ladders*



# ICE PRODUCTION ON THE TOP

*Either on stand alone generators or packs, the ice production plant is installed on the upper side of the ice tower. The steel frame have to be designed to allow this installation.*

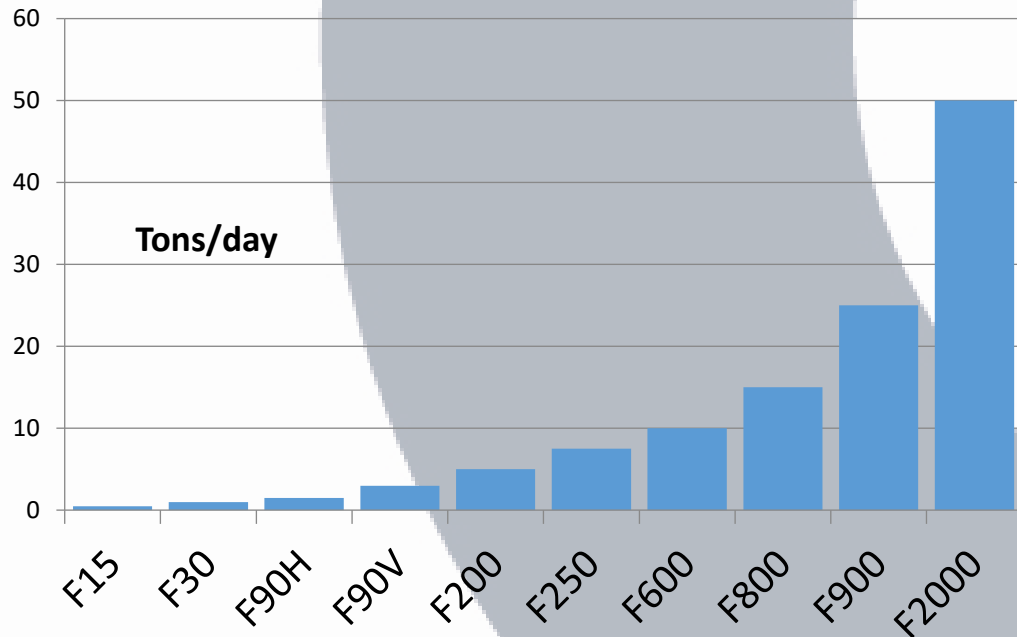


# BIGGEST FLAKE ICE GENERATORS F900 & F2000



Stand alone Generators

- From 25 T to 50 tons per day



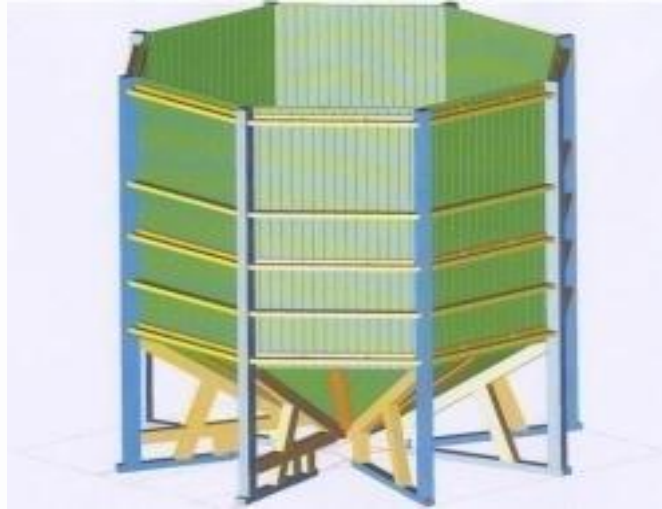
F serie 900 & 2000



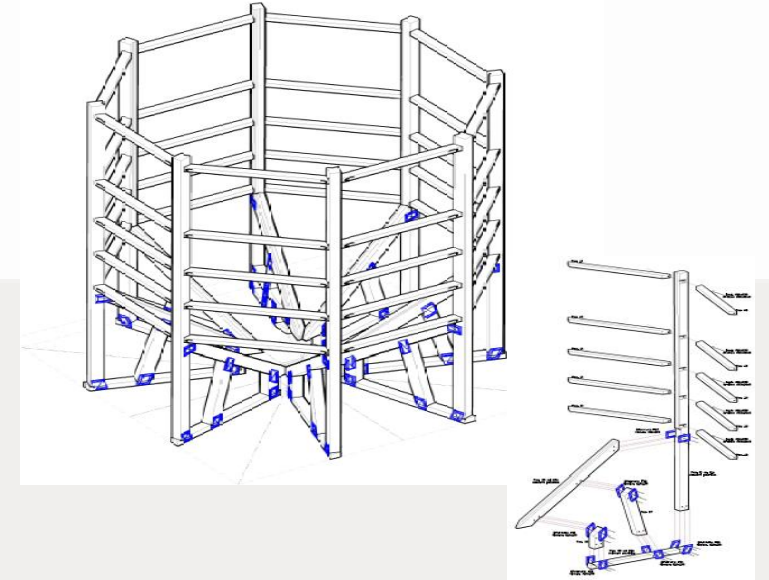
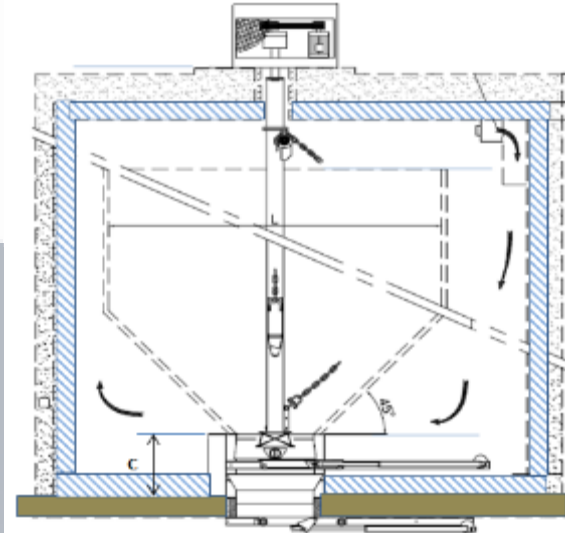


# ICE STORAGE – Chain extraction

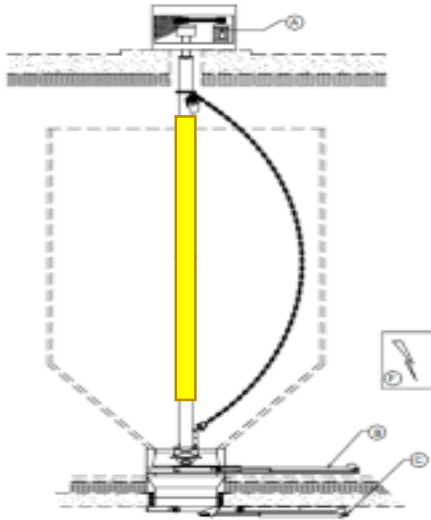
*The wooden storage is delivered in parts and is re-built on site with the technical assistance of our team. All parts are clearly identified.*



**Storage large capacity type SC 50 – 50T**



# ICE EXTRACTION SYSTEM – SDG (Chain system)



SDG 700



*The ice extraction system is a rotating chain that allow the ice falling down to the outlet device. It is provided in stainless steel. The chain remains in steel building for reliability purposes.*

Ice is stored in a vertical bin with a **central shaft**.  
**A chain** runs along and inside the hollow shaft. **A counterweight** is attached to the end of the chain inside the shaft.  
The other end of the shaft is attached to the bottom of the shaft, outside the shaft.



# ICE DISTRIBUTION



*Different outlet devices can be installed in harbor facilities, Weighing systems or simple delivery systems can be implemented (screws or belts).*



*Fish trade delivery*



*Fishesmen delivery*

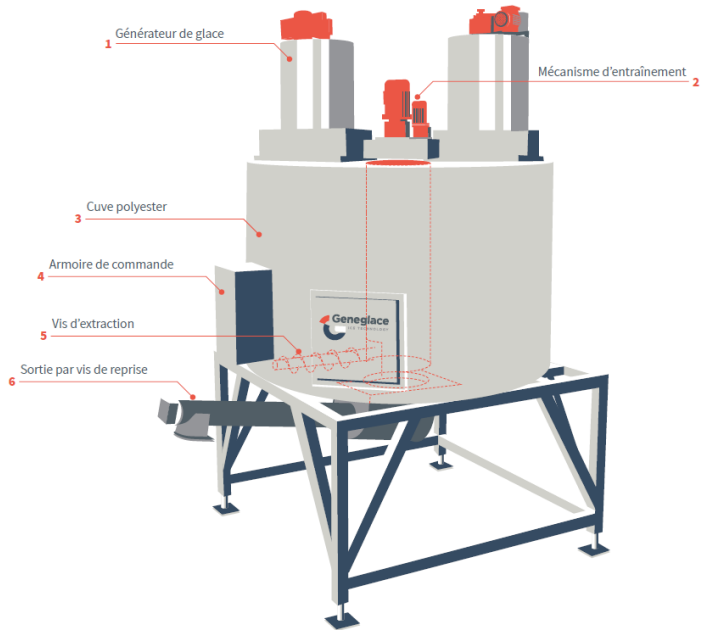


*Boat automatic delivery*

## 2- FISH TRADING CENTER AND FISHMONGING\_ ICE DISPENSER

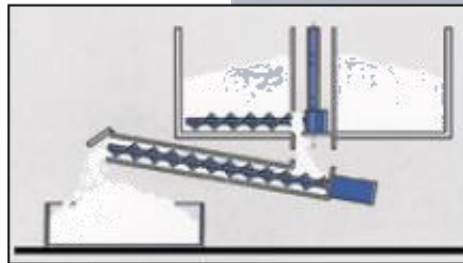
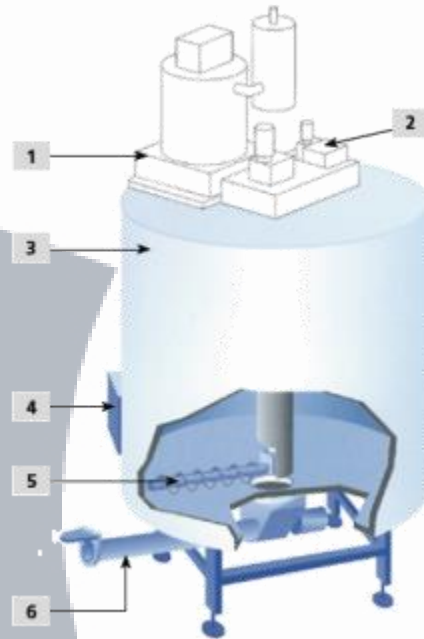


Direct and full automatic ice delivery into boxes



# ORBITAL SILOS FOR AUTOMATIC EXTRACTION STORAGE

- 1 Ice-generator
- 2 Driving unit
- 3 Polyester bin
- 4 Electrical panel
- 5 Extraction auger
- 6 Discharge auger



Ice extraction

From 500 kg to 20 tons

FIFO system : The first ice produced is the first ice delivered. FIFO storage and delivery Guarantees freshly produced ice.



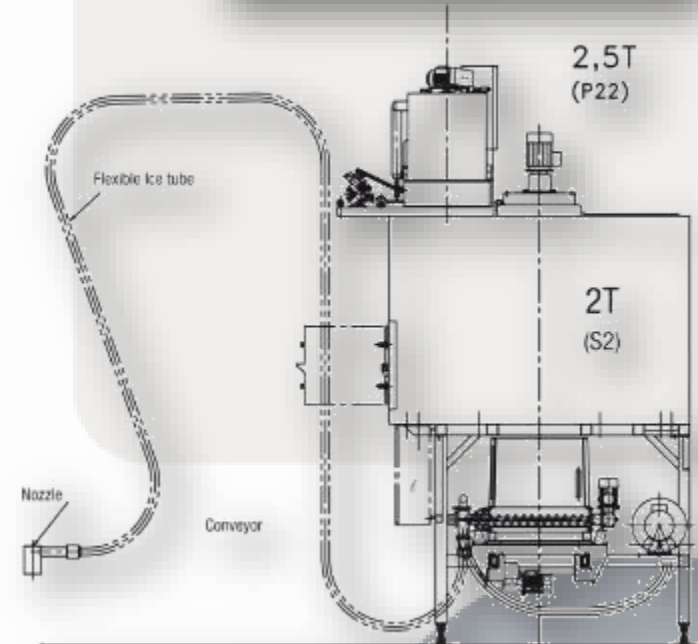
# FISH TRADING CENTER EQUIPEMENT

- DIFFERENT POSSIBLE CONVEYING SYSTEMS
- from AOS 80 to AOS 130 model S to XL
- **Pneumatic conveying systems from 25 to 150 Kg/min**



Continuous weighing screw from 5 to 12 tons

With coin box



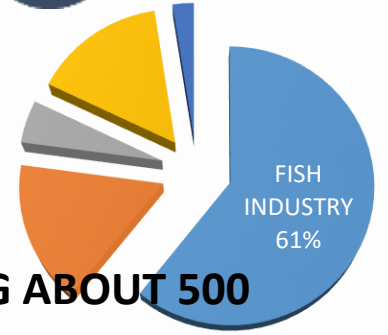
AVEC CONVOYAGE PNEUMATIQUE

# SOME REFERENCES

# FISHING INDUSTRY EXPERIENCE

**Geneglace** is the worldwide leader for flake ice production applied to fishing process, we have developed solution coming from the smallest production in local fisher retailer to the full and complete harbour equipment

**Geneglace HAS BUILT MORE THAN 200 ICE TOWERS ALL AROUND THE WORLD AND IS DELIVERING ABOUT 500 MACHINES EVERY YEAR FOR FISHING PROCESS.**



**FROM ONBOARD EQUIPMENT TO FISH DISPLAY**





# FROM HARBOURS TO FISHMONGERING & TRADE CENTERS



YEMEN  
UAE

PEARL FISHERIES  
GULFSEAFOOD  
STARGATE (OSUS)  
DUBAI MALL  
SPINNEY's , CARREFOUR  
IFTRA  
EASTFISH  
The Deep Seafood  
Saudi Fisheries Co.  
RED SEA FISHING SARL  
LAGUNA  
SAUDI FISHERIES

شركة الأسماك العمانية عمان  
Oman Fisheries COSAG



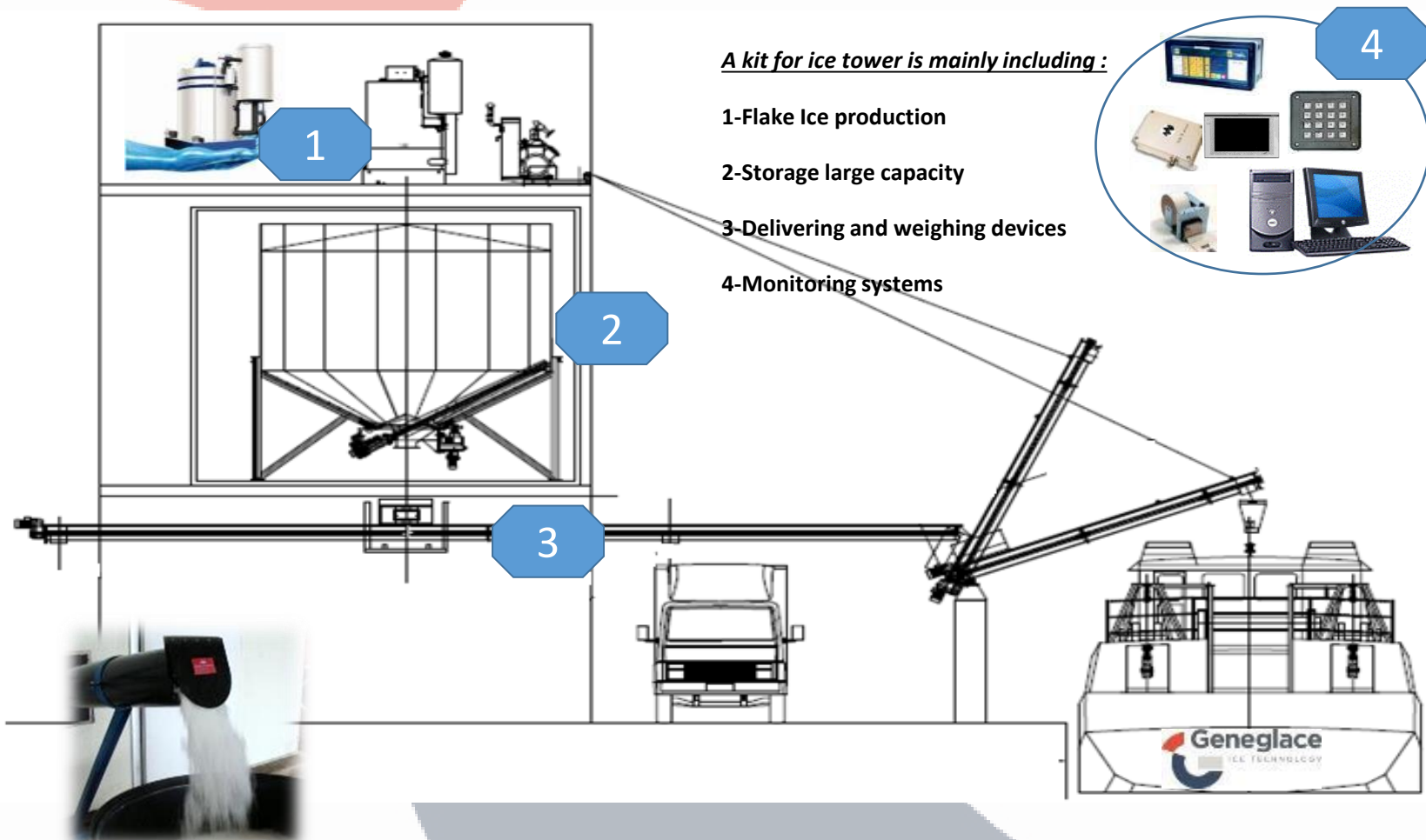
PACK 30  
F 90V, PACK 35



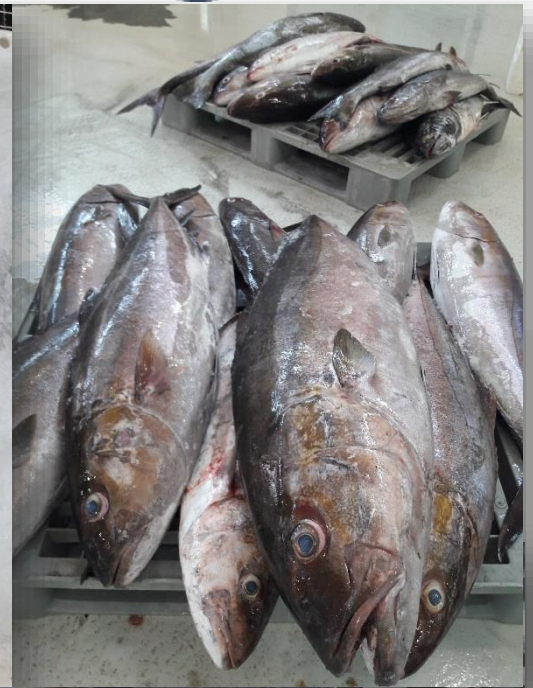
DJIBOUTI  
POLAND  
KSA

# ICE TOWER CONCEPT FOR FISHING HARBOURS

Geneglace is offering complete equipment for biggest harbor facilities based on our application know how and on our material expertise.



# FISH TRADE CENTER – HALBAN – SULTANATE OF OMAN



Equipement : 5 F800 generators and 5 Orbital Silo S5

# ICE TOWER IN GENEGLANCE – MOROCCO MARKET

*MOST OF FLAKE ICE EQUIPEMENT IN MOROCCO ARE FROM GENEGLANCE*



*MORE THAN 40 PLANTS IN MOROCCO – MORE THAN 2650tons DISTRIBUTED AND STORED*

# ICE TOWER IN Geneglance - EUROPE



Ice tower - Concarneau France – 40 tons – NH3

# ICE TOWER IN Geneglance - EUROPE



Ice plant dispenser - IRELAND

## Geneglace CONTACT

Geneglace S.A.S  
9 rue des Orfèvres, 44840 Les Sorinières France



Pascal Billaudelle  
Area manager MEA and Eastern Europe

[Pascal.billaudelle@geneglace.com](mailto:Pascal.billaudelle@geneglace.com)

Tél : 33 (0)2 51 19 10 51 – Fax : 33 (0)2 40 05 73 81 web : [www.geneglace.com](http://www.geneglace.com)

